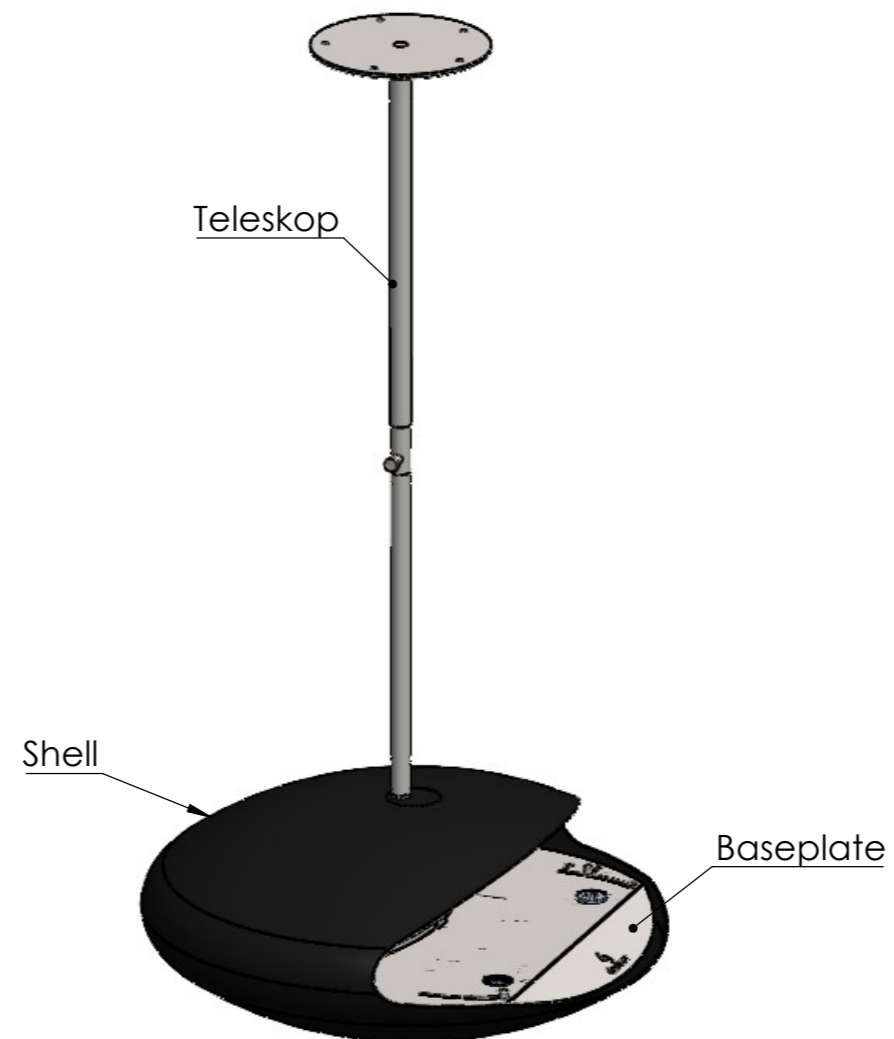

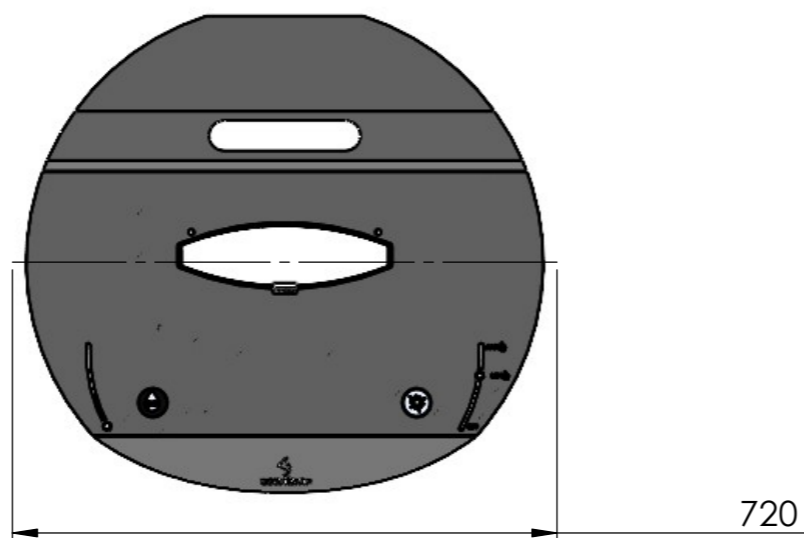
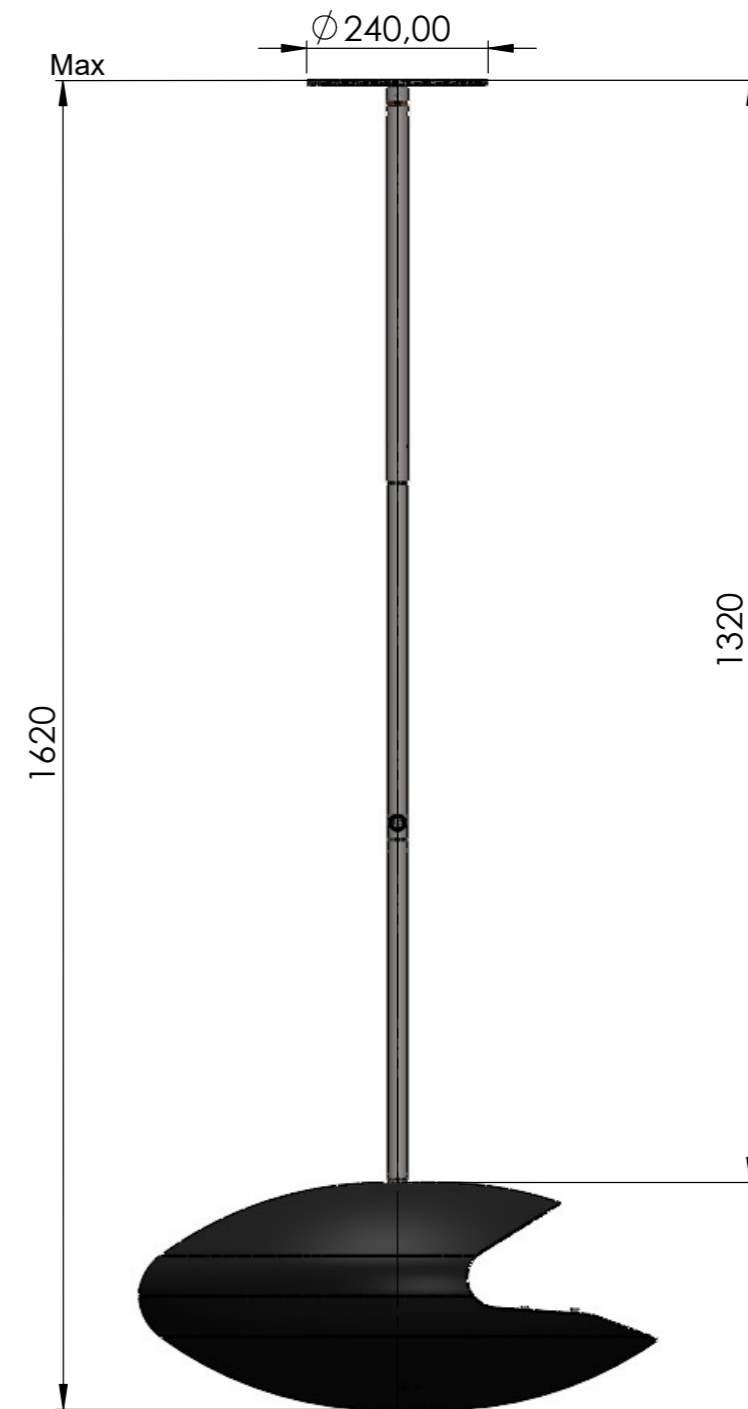
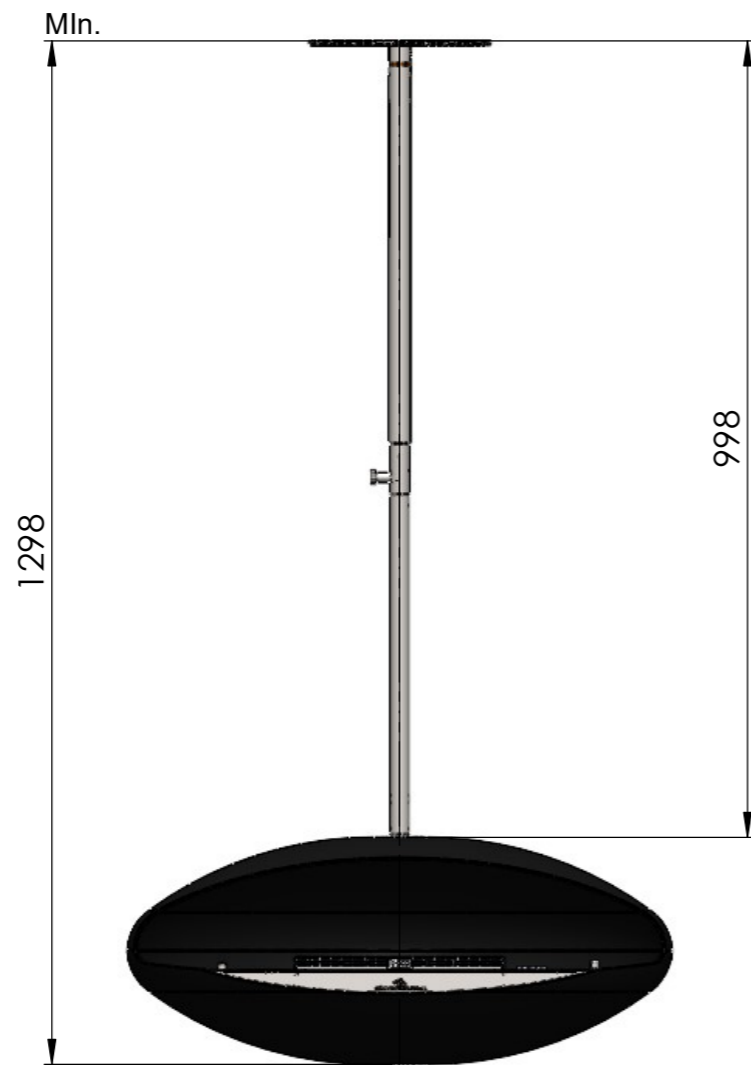



Decoflame® Espoo Ceiling mounted teleskop, Manual burner, electronic ignition

Shell: Black, Teleskop: Stainless steel, Baseplate: Stainless steel



Dimensions are in millimeters	Decoflame Aps Vang Mark 2 9380 Vestbjerg Denmark Tlf: +45 9630 4800		SCALE: 1:10
Date 22-04-2024			FORMAT: A3
REVISION:		bestilling@decoflame.dk	
Author: JDR	Order Number - Customer - Reference: PRINCIPLE Espoo - Ceiling mounted teleskop		
Copyright of Decoflame ApS Denmark, whose property this document remains. No part thereof may be disclosed, copied, duplicated or in any other way made use of, except with the approval of Decoflame ApS.	Customer Approval Signature - Date		



Dimensions are in millimeters		Decoflame ApS Vang Mark 2 9380 Vestbjerg Denmark Tlf: +45 9630 4800	 SCALE: 1:10
Date	22-04-2024	bestilling@decoflame.dk	
REVISION:		Order Number - Customer - Reference:	
Author:	JDR	PRINCIPLE Espoo - Ceiling mounted teleskop	
Copyright of Decoflame ApS Denmark, whose property this document remains. No part thereof may be disclosed, copied, duplicated or in any other way made use of, except with the approval of Decoflame ApS.		Customer Approval Signature - Date	